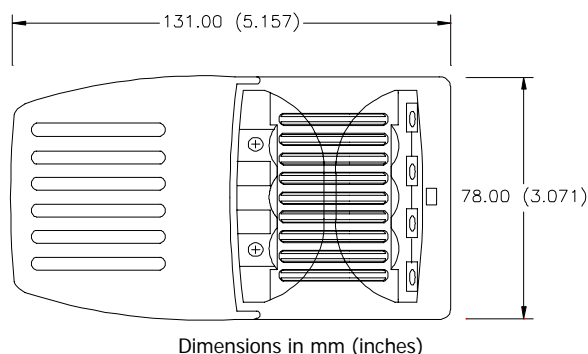


ENERGIZER CH15MN

Battery Charger



CAUTION: Batteries may become hot to touch while charging.

Features:

1. Charges one to four AA or AAA NiMH size batteries in 15 minutes. (up to 2200/850 mAh)
2. "Smart Charger" - Individually monitors cell condition and terminates charging current when charged.
3. Includes "Trickle Charge" - Low rate charge to retain charge level that would otherwise be lost due to self-discharge and storage.
4. Illuminated LED monitoring light.
5. Ideal for high drain applications.
6. DC input 11-16V, 4A (AC Adapter included)

Product Detail:

Designation: Hi-Energy Battery Charger
 Color: Charcoal Grey
 Charge Capability: One to Four "AA" NiMH Batteries
 One to Four "AAA" NiMH Batteries
 "AA" - Up to 2200 mAh
 "AAA" - Up to 850 mAh
 Charging Current: "AA" (1-4 cells) 7.5 Amps
 "AAA" (1-4 cells) 2.85 Amps
 Trickle Charge: "AA" - 100 mA
 "AAA" - 60 mA
 Charging Time: 15 Minutes - 24 Hours Max. (up to 2200 mAh)
 Typical Weight: 180.0 grams (6.3 oz.) Without AC Adapter
 AC Adapter = 240.0 grams (8.5 oz.)
 Dimensions (mm): 131.0 x 40.0 x 78.0

Note: This charger is not intended for use by young children or infirm persons without supervision. Young children should be supervised to ensure they do not play with the charger.

Charging Instructions:

- This charger must **NOT** be used for Alkaline, Carbon Zinc, Lithium, NiCd or other kinds of batteries not specified on this charger. Do not charge batteries with different capacities. For best results, charge batteries before first use.
1. Plug the AC adapter's barrel plug into the DC input jack of the charger.
 2. Plug the adapter into a standard AC outlet. The LED indicator light will glow GREEN.
 3. Place 1-4 batteries into the battery compartment according to the polarity symbols (+ and -) marked inside each bay. Indicator light will change to red to indicate charging.
 4. If the indicator light flashes red try the following:
 - * Confirm battery polarity is correct.
 - * Check the battery position in the bay.
 - * Remove batteries and wipe contacts with clean cloth.
 - * May be a defective battery which prevents charging.
 5. The LED indicator turns GREEN, the batteries are ready.
 6. Unplug adapter from outlet when charging is completed.

Important Safety Instructions:

1. To reduce risk of injury, only charge Energizer NiMH rechargeable batteries with charger. Other types of batteries might burst, causing personal injury or damage to your charger.
2. Do not charge batteries with different capacities.
3. For indoor use only. Do not expose to rain, snow, or excessive moisture.
4. Never use an extension cord or any attachment not approved by Energizer.
5. Do not operate charger if it has been subjected to shock or damage. Take to qualified serviceman for repair.
6. Do not disassemble the charger.
7. Always unplug the charger from outlet before attempting maintenance or cleaning. Turning off controls will not reduce the risk of electrical shock.
8. Never alter the plug provided. Improper connection can result in a risk of electric shock.
9. Never use as a power source for electrical equipment.

Important Notice

This data sheet contains information specific to battery chargers manufactured at the time of its publication.
 ©Energizer Holdings, Inc. - Contents herein do not constitute a warranty