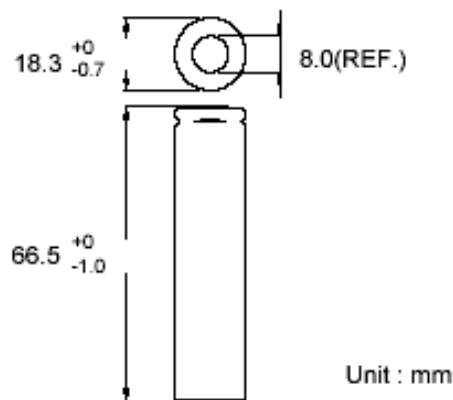


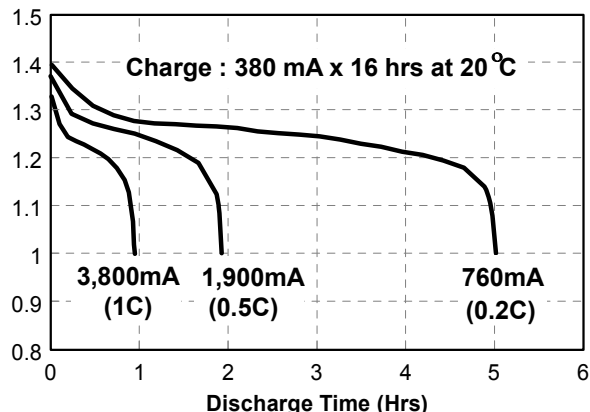
Type	: Rechargeable Nickel Metal Hydride Cylindrical Cell
Nominal Dimension (with Sleeve)	: $\Phi = 18.3\text{mm}$ H = 66.5mm
Applications	: Recommended discharge current 380mA to 19A
Nominal Voltage	: 1.2V
Capacity	: Nominal: 3800mAh Minimum: 3800mAh Typical: 3990mAh when discharged at 760mA to 1.0V at 20°C
Charging Condition	: 380mA for 16 hrs at 20°C
Fast Charge	: 1900mA to 3800mA (0.5 to 1C) charge termination control recommended control parameters: - ΔV : 0-5mV DT/dt : 0.8°C/min (0.5 to 0.9C) 0.8 - 1°C/min (1C) TCO : 45 - 50°C Timer : 105% nominal input (for ref. only)
Service Life	: >500 cycles (IEC standard)
Continuous Overcharge	: 380mA maximum current for 1 year. No conspicuous deformation and/or Leakage
Weight	: 60.0g
Internal Resistance	: Average 7m Ω upon fully charged (Range 5-10m Ω) at 1000Hz
Max. Charging Voltage	: 1.5V at 380mA charging
Ambient Temperature Range	: Standard Charge : 0 to 40°C Fast Charging : 10 to 40°C Discharge : -20 to 50°C Storage : -20 to 35°C Storage (1week) : -20 to 60°C

Model No.: GP380LAHV



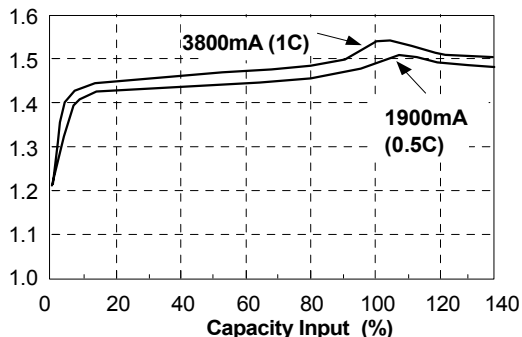
Low Rate Discharge

Voltage (V)



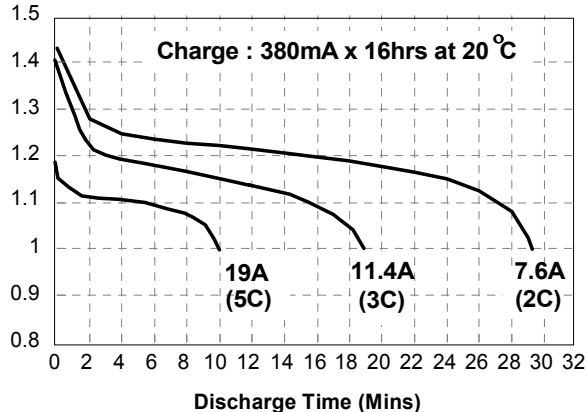
Fast Charge (Charge Control required)

Voltage (V)



High Rate Discharge

Voltage (V)



The information (subject to change without prior notice) contained in this document is for reference only and should not be used as a basis for product guarantee or warranty. For applications other than those described here, please consult your nearest GP Sales and Marketing Office or Distributors.